

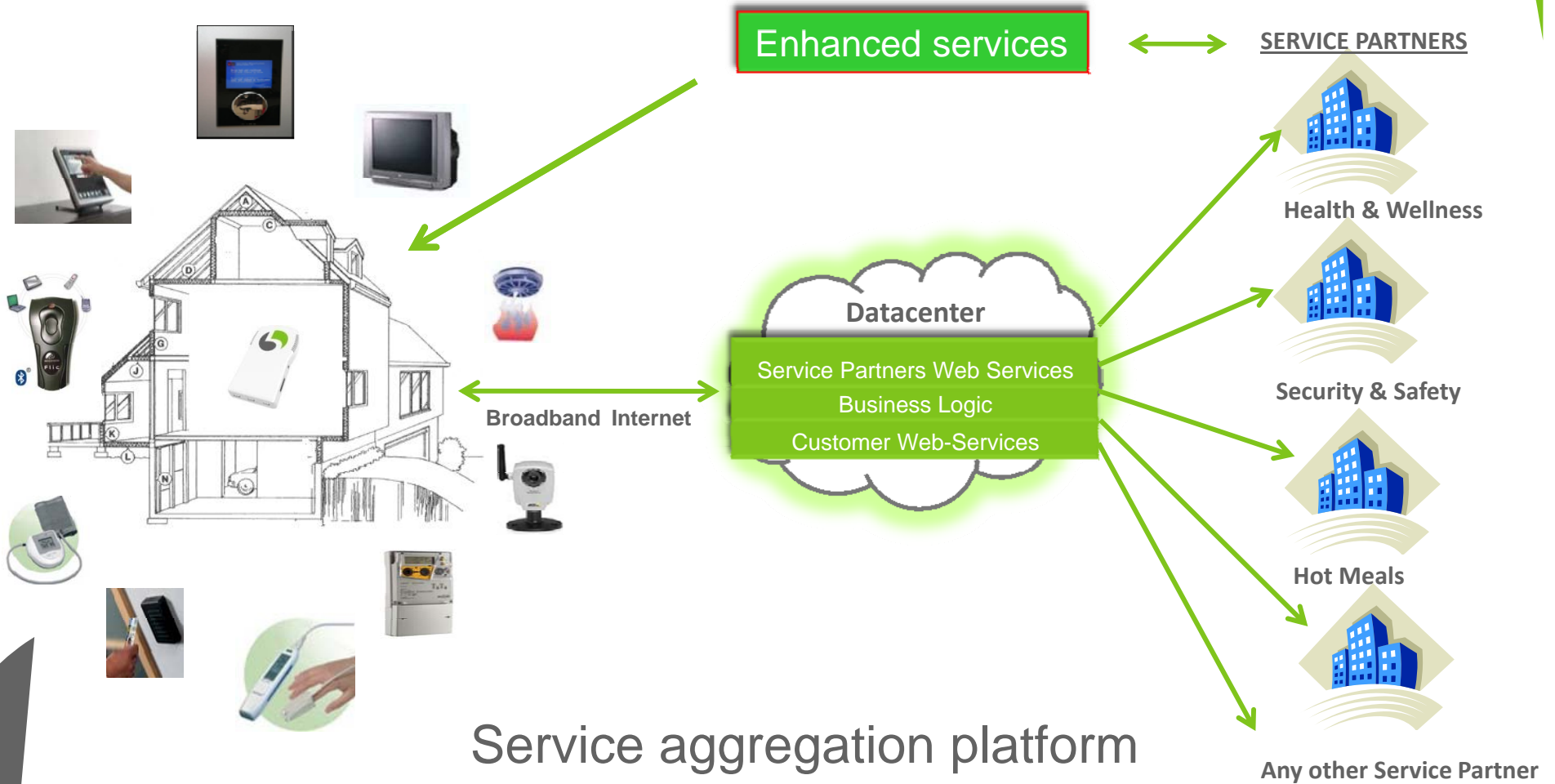
Enabling partners to deliver Health services @ home

Proposal seed

filip.van.bel@fifthplay.com



“High tech” behind the wall & “Plug & play” in the home





Project MIDIM (province Zeeland The Netherlands)

20 elderly @ Home

Project: Study during a period of 3 months

Improvement of living independently

Improvement of Social integration

Sustainability of Technical devices and videoconferencing

Touchscreen

- Videoconferencing between elderly and backoffice

Providing

Proces innovation :

Organisational innovation:





- Providing services to the elderly



- Set up videoconferencing between patient, backoffice , doctor or nurse and caretaker.

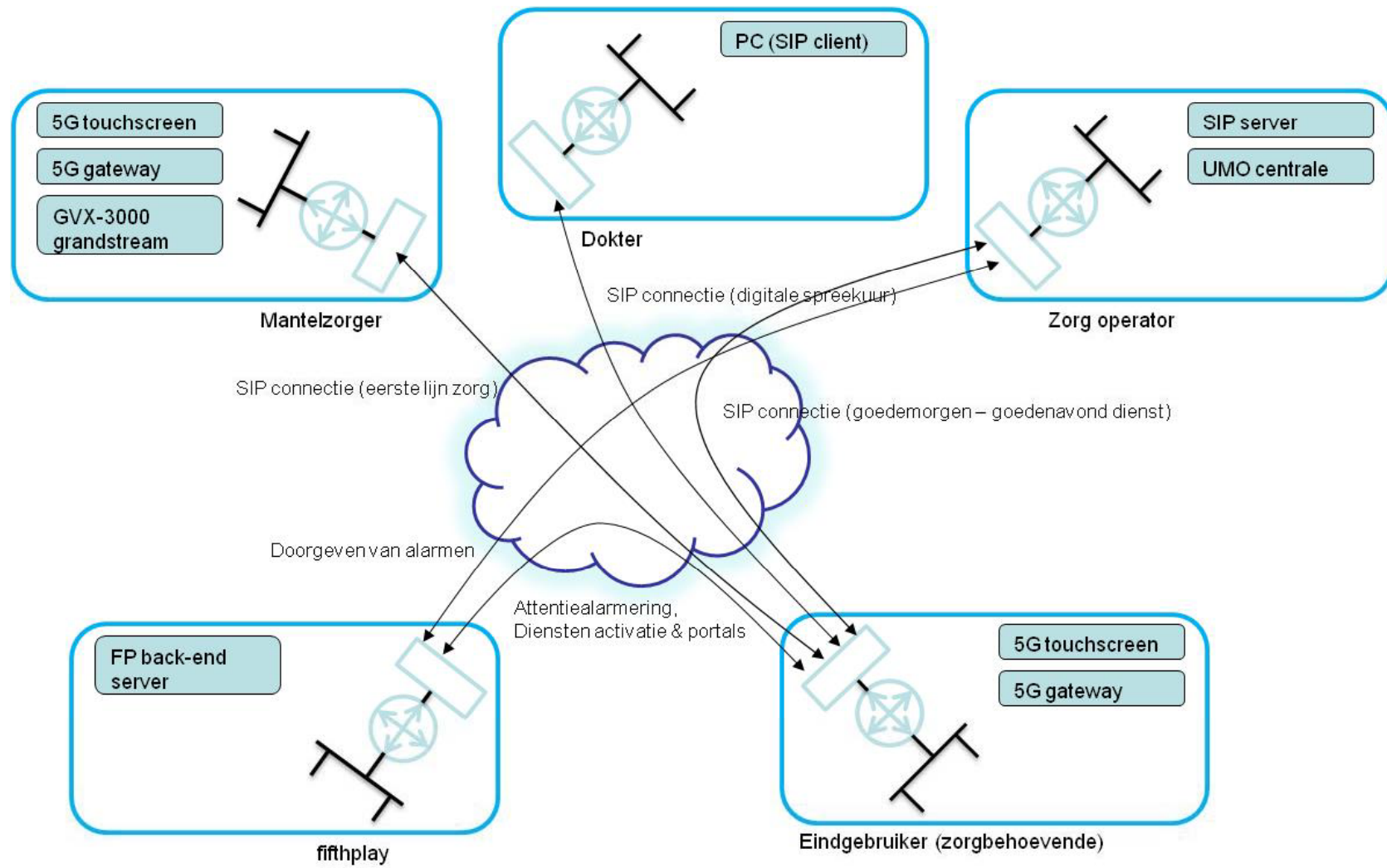
- Goodmorning – goodevening service
 - Sheduling a meeting with the doctor , ph
 - Digital Information on the screen depending on profile
 - Personal attention Systems
peace of mind
- UMO –application and emergency-center

- Data collection

- Data anlysis :



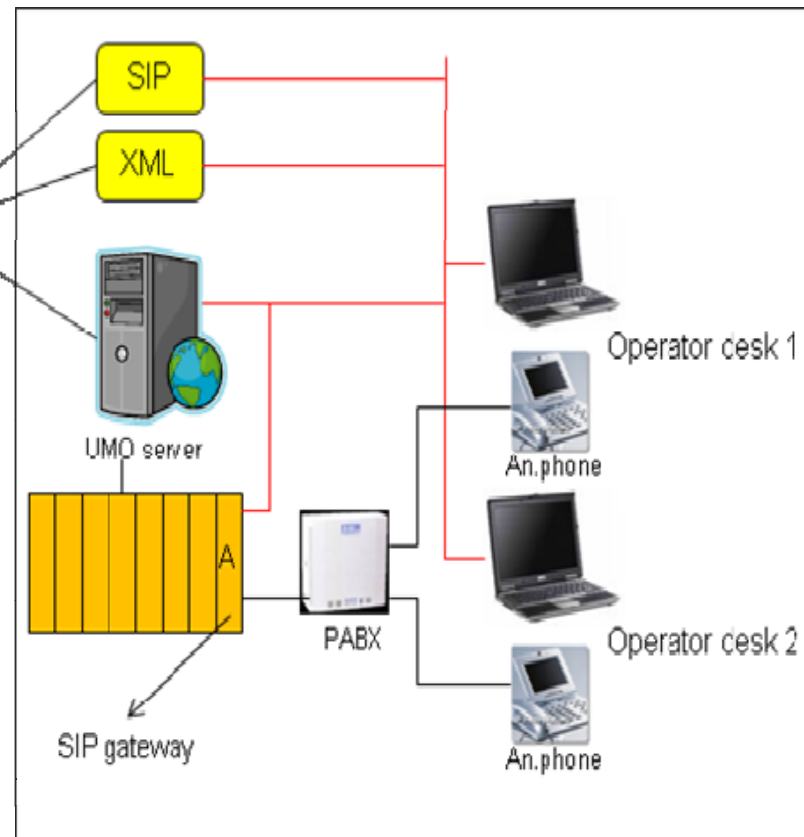
- 
- Enabling meetings with the whole family
 - Facilitating assessments of the overall situation at home
 - Providing security /peace of mind to the elderly/family
 - Continued use and development
- 





Woning

https connectie
(SIP HBI)



Looking for international partners to develop e-health services @ Home.

